

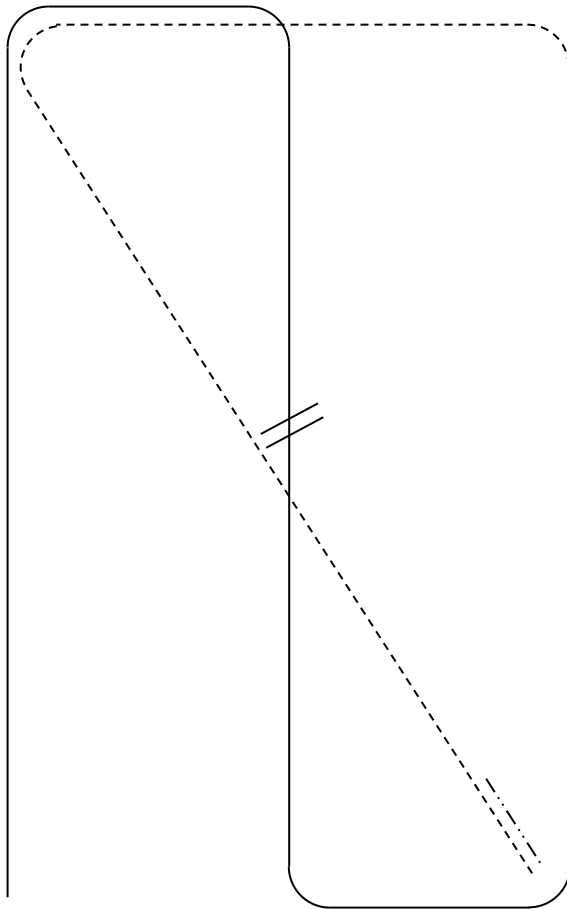
**2024 Boulder County Horse Judging Team  
Benefit Horse Show  
Saturday, July 27, 2024**



**Boulder County  
4-H Judging Team**

**PATTERNS**

**Boulder County Horse Judging Team  
Benefit Horse Show  
Classes 2 & 4 English Equitation Open Adult & Level  
III & IV**



Be ready at start.  
Canter on the right lead in a two-point position around end and onto centerline.  
Drop to a normal seated canter down centerline.  
Change leads.  
Canter around end.  
Drop to a sitting trot with no irons down the long side.  
Pick up irons after the corner and sitting trot the short end.  
Posting trot across the diagonal.  
Halt.  
Back one horse length.

**Pattern Legend**

Walk .....  
Trot - - - - -  
Canter \_\_\_\_\_  
Back . . . . .

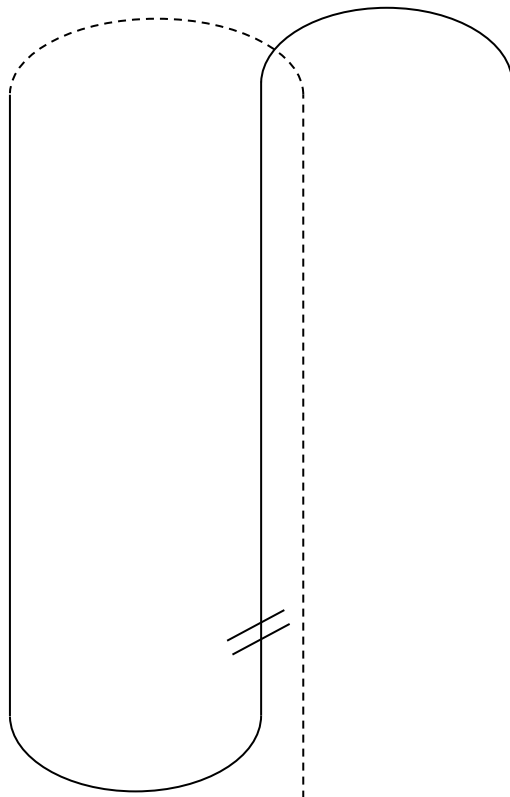
Lineup



**Good Luck!**

**Judge: *Kenny Scott***

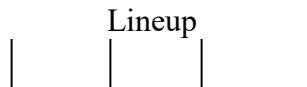
**Boulder County Horse Judging Team  
Benefit Horse Show  
Classes 3 & 5 English Equitation Open Youth & Level  
II**



Be ready at start.  
Sitting trot up  
centerline.  
Posting trot around end.  
Canter on the left lead  
down side, around end  
and onto centerline.  
Perform a simple lead  
change.  
Canter on the right lead  
down centerline and  
around end.  
Posting trot on left  
diagonal down side.  
Walk at least two horse  
lengths.  
Halt.

**Pattern Legend**

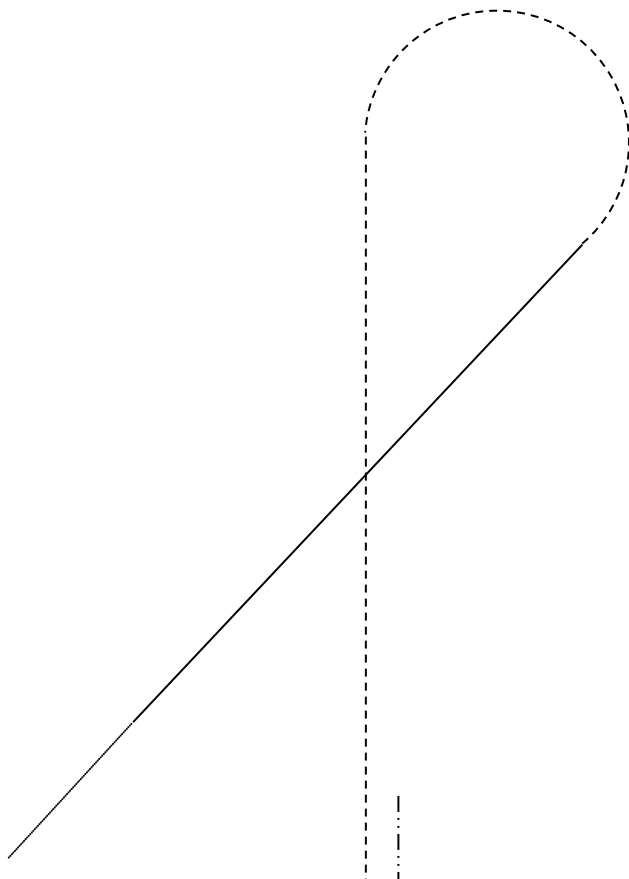
Walk .....  
Trot - - - - -  
Canter ———



**Good Luck!**

**Judge: *Kenny Scott***

**Boulder County Horse Judging Team  
Benefit Horse Show  
Classes 6 & 7 English Equitation Level I & Unrated**



Be ready at start.  
Walk two horse lengths.  
Canter left lead across diagonal.  
Sitting trot around end onto centerline.  
Posting trot on left diagonal down centerline.  
Halt.  
Back 5 steps.

**Pattern Legend**

- Walk ..... (dotted line)
- Trot - - - - - (dashed line)
- Canter \_\_\_\_\_ (solid line)
- Back - · - · - · - (dash-dot line)

Lineup

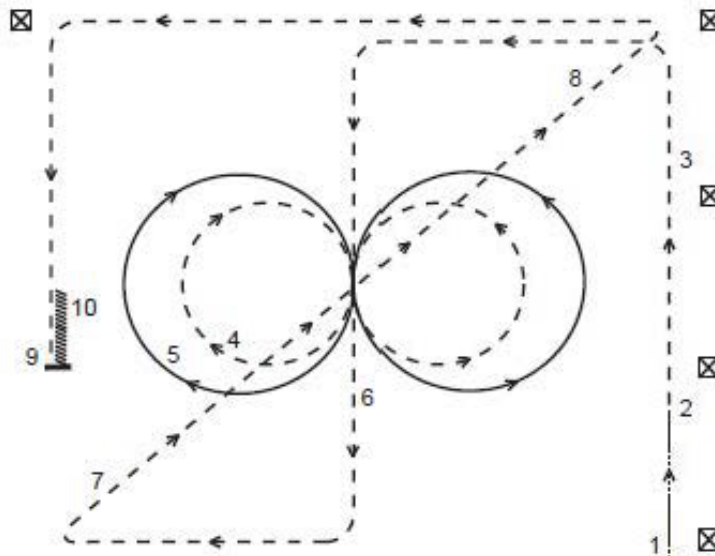


**Good Luck!**

**Judge: *Kenny Scott***

# Boulder County Horse Judging Team Benefit Horse Show Class 13 English Control Open Adult

477. Pattern C – Level II English Control



Walk: ..... Canter: \_\_\_\_\_  
Back: /////////////// Trot: - - - - -

1. Walk.
2. Sitting trot.
3. Working trot, rising.
4. Figure 8 at rising trot showing change of diagonal going to the right first.
5. Figure 8 at canter showing simple change of lead going to the right first.
6. Sitting trot.
7. Lengthened trot, rising demonstrating a change of diagonal while crossing center.
8. Working trot, sitting.
9. Halt.
10. Back.

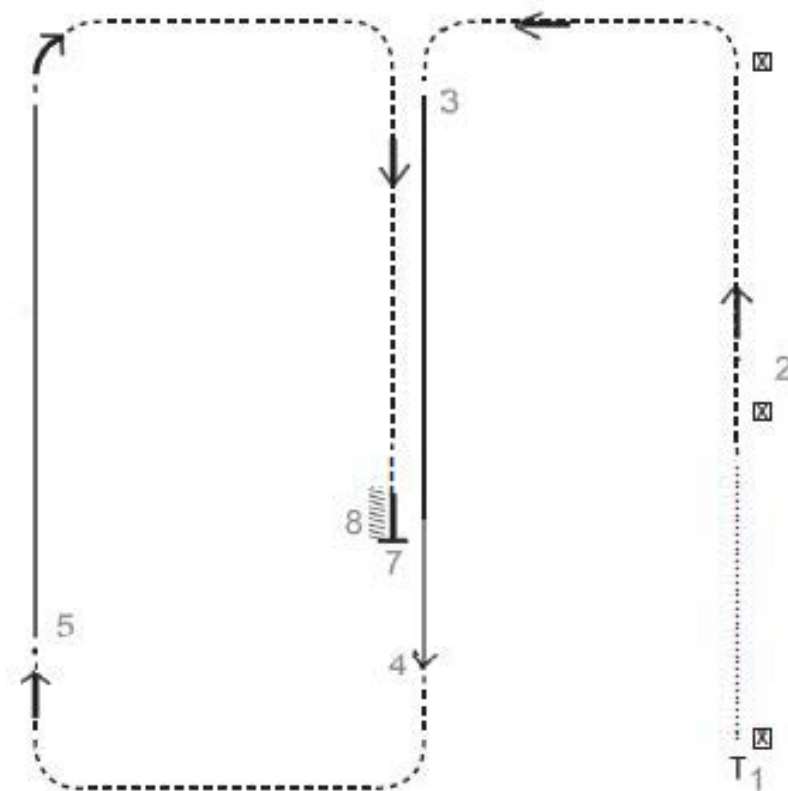
Leave arena on a loose rein at the free walk.

Markers 30 feet to 50 feet apart. Suggested arena size 150 feet by 200 feet.

**Judge: *Kenny Scott***

# Boulder County Horse Judging Team Benefit Horse Show Class 14 English Control Open Youth

475. Pattern A – Level I English Control



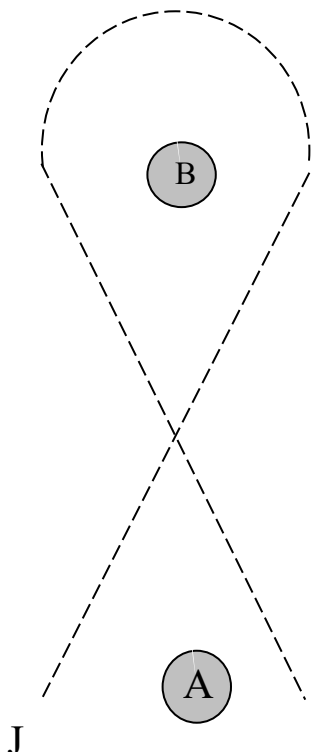
Walk: ..... Canter: \_\_\_\_\_  
 Back: /////////////// Trot: - - - - -

1. Walk.
2. Trot on the right diagonal.
3. Canter down center on the left lead.
4. Sitting Trot.
5. Canter on the right lead.
6. Posting trot on the left diagonal down the center.
7. Halt.
8. Back three steps.

Leave the arena on a loose rein at the free walk.

**Judge: *Kenny Scott***

**Boulder County Horse Judging Team  
Benefit Horse Show  
Classes 17 & 18 Showmanship Open Adult & Open  
Youth**



Be ready at marker A.  
Trot to and around  
marker B and to the  
other side of marker A.  
Set up for inspection.  
At completion, turn 90°  
and walk to lineup.

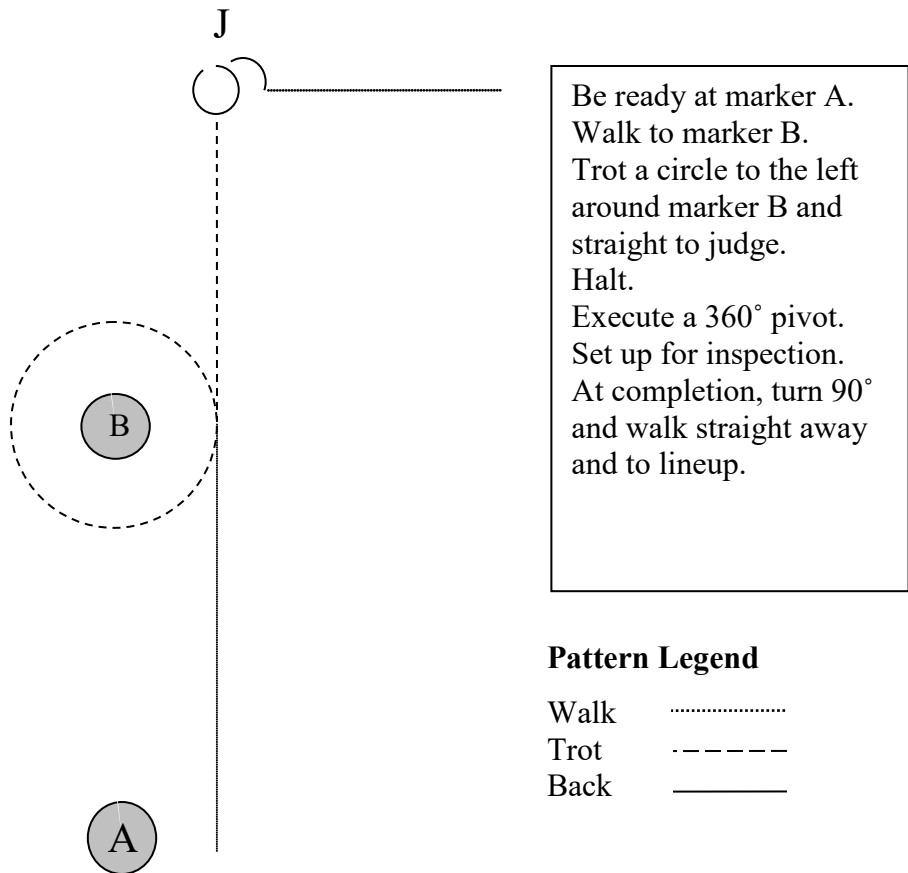
**Pattern Legend**

Walk .....  
Trot - - - - -  
Back \_\_\_\_\_

**Good Luck!**

**Judge: *Kenny Scott***

**Boulder County Horse Judging Team  
Benefit Horse Show  
Class 19 Showmanship Levels III & IV**

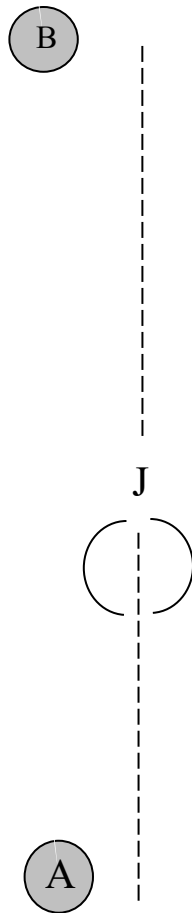


**Good Luck!**

**Judge: *Kenny Scott***



**Boulder County Horse Judging Team  
Benefit Horse Show  
Class 20 Showmanship Level II**



Be ready at marker A.  
Trot to judge.  
Execute a 180° turn.  
Set up for inspection.  
At completion, execute  
a 180° turn and trot to  
B.  
Halt at B.  
Walk to lineup.

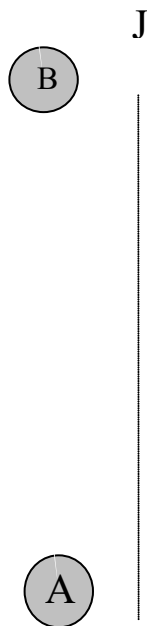
**Pattern Legend**

Walk .....  
Trot - - - - -  
Back \_\_\_\_\_

**Good Luck!**

**Judge: *Kenny Scott***

**Boulder County Horse Judging Team  
Benefit Horse Show  
Classes 21 & 22 Showmanship Level I, Unrated &  
Walk Trot**



Be ready at marker A.  
Walk to judge.  
Set up for inspection.  
At completion, turn 90°  
and walk to lineup.

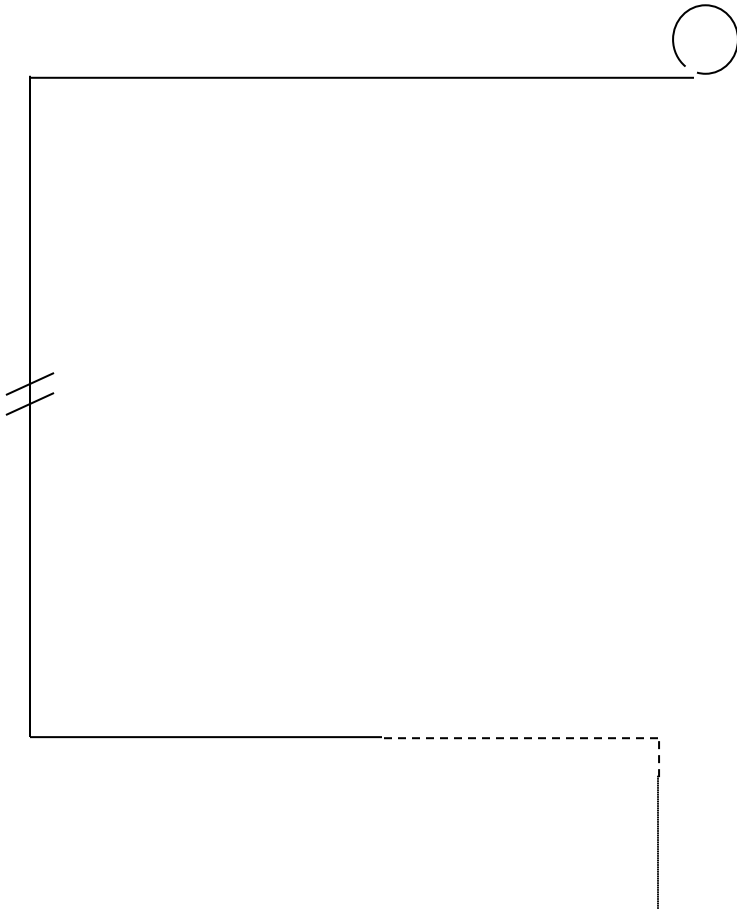
**Pattern Legend**

Walk .....  
Trot .- - - -  
Back \_\_\_\_\_

**Good Luck!**

**Judge: *Kenny Scott***

**Boulder County 4-H Horse Judging Team  
Benefit Horse Show  
Classes 24 & 25 Western Horsemanship  
Open Adult & Open Youth**



Be ready at start.  
Walk 5 strides.  
Pickup jog and make a square corner to the left.  
At center, drop stirrups and pickup lope on the right lead.  
Perform a square corner and continue up the rail.  
Halfway down rail, change leads.  
Pickup stirrups and perform a square corner.  
Halt.  
Perform a 360° turn on the hindquarters to the left.  
Walk to lineup.

**Pattern Legend**

Walk    .....  
Jog     - - - - -  
Lope    \_\_\_\_\_

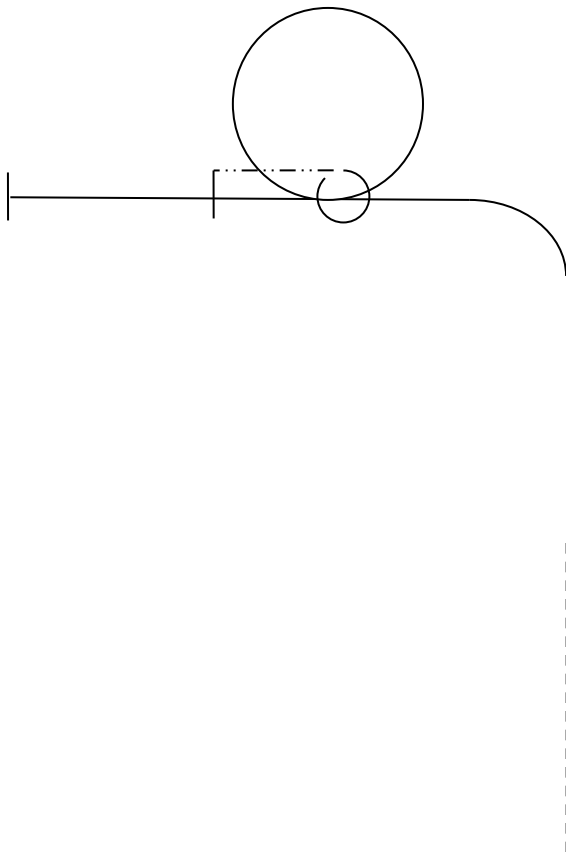
Lineup



**Good Luck!**

**Judge: *Kenny Scott***

**Boulder County 4-H Horse Judging Team  
Benefit Horse Show  
Class 26 Western Horsemanship Levels III & IV**



Be ready at start.  
Jog a quarter of the way down rail.  
Pick up left lead.  
Lope into center.  
Halt.  
Back 5 steps.  
Execute a 360° turn on the hindquarters to the left.  
Lope a circle on the right lead and continue straight.  
Halt.  
Walk to lineup.

**Pattern Legend**

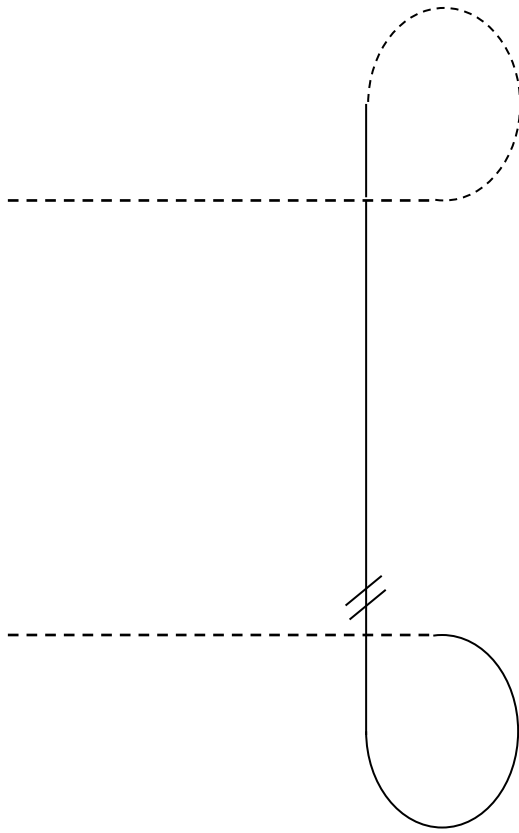
- Walk ..... (dotted line)
- Jog - - - - - (dashed line)
- Lope \_\_\_\_\_ (solid line)
- Back - · - · - · (dash-dot line)

Lineup  
|     |     |

**Good Luck!**

**Judge: *Kenny Scott***

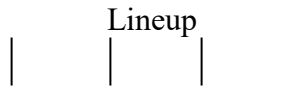
**Boulder County 4-H Horse Judging Team  
Benefit Horse Show  
Class 27 Western Horsemanship  
4-H Level II**



Be ready at start.  
Jog.  
Pick up the right lead  
and perform a tear drop.  
Perform a simple  
change of leads.  
Lope down centerline.  
Drop to a jog and jog a  
tear drop.  
Jog to side.  
Halt.  
Walk to lineup.

**Pattern Legend**

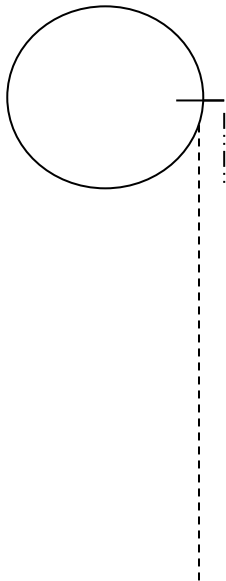
Walk .....  
Jog - - - - -  
Lope \_\_\_\_\_  
Back - . - . - .



**Good Luck!**

**Judge: *Kenny Scott***

**Boulder County 4-H Horse Judging Team  
Benefit Horse Show  
Classes 28 & 29 Western Horsemanship  
4-H Level I & Unrated**



Be ready at start.  
Jog halfway down rail.  
Pickup the left lead and  
perform a circle to the  
left.  
Halt.  
Back 5 steps.  
Return to lineup.

**Pattern Legend**

- Walk ..... (dotted line)
- Jog - - - - - (dashed line)
- Lope \_\_\_\_\_ (solid line)
- Back - - - - - (dash-dot line)

Lineup

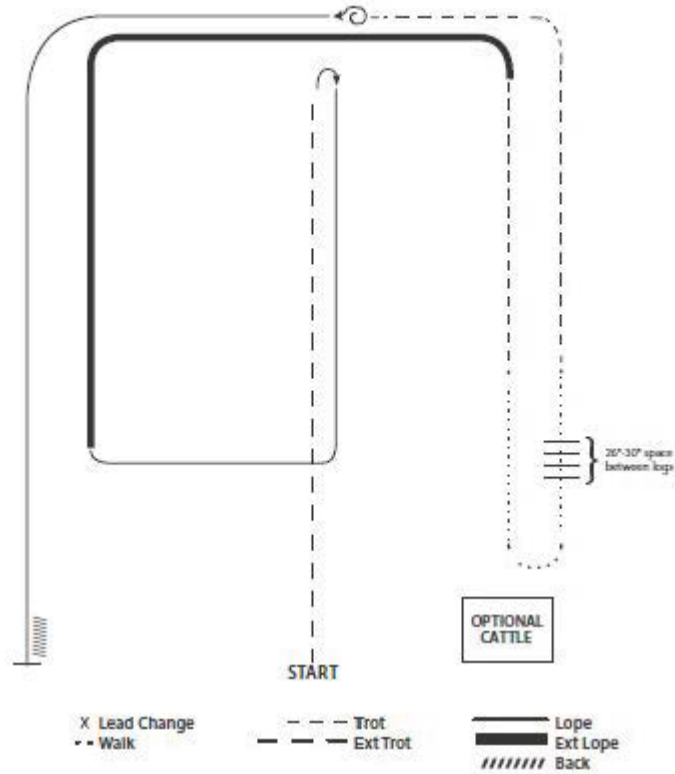


**Good Luck!**

**Judge: *Kenny Scott***

# Boulder County Horse Judging Team Benefit Horse Show Class 36 Ranch Riding Open Adult

370. Pattern 15 – Ranch Riding



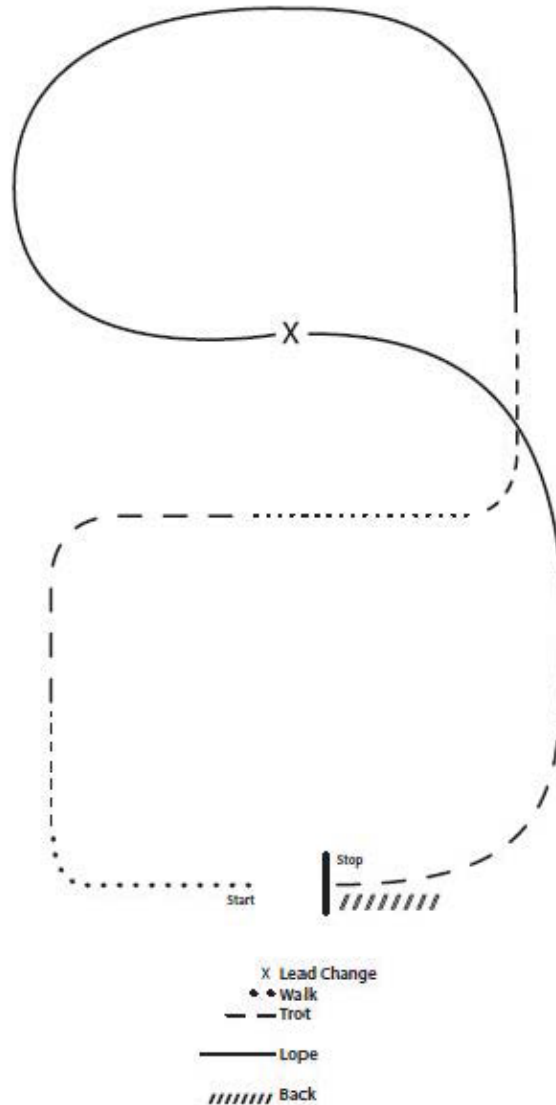
1. Extended trot
2. Stop, rollback right
3. Lope right lead
4. Extended lope (right lead)
5. Trot
6. Walk
7. Walk over logs
8. Walk
9. Trot
10. Stop, 360 left
11. Lope left lead
12. Stop and back

**Note:** The drawn description of this pattern is only intended for the general depiction of the pattern. Exhibitors should utilize the arena space to best exhibit their horses.

**Judge: *Kenny Scott***

# Boulder County Horse Judging Team Benefit Horse Show Class 37 Ranch Riding Open Youth

359. Pattern C – Level I and II Ranch Riding



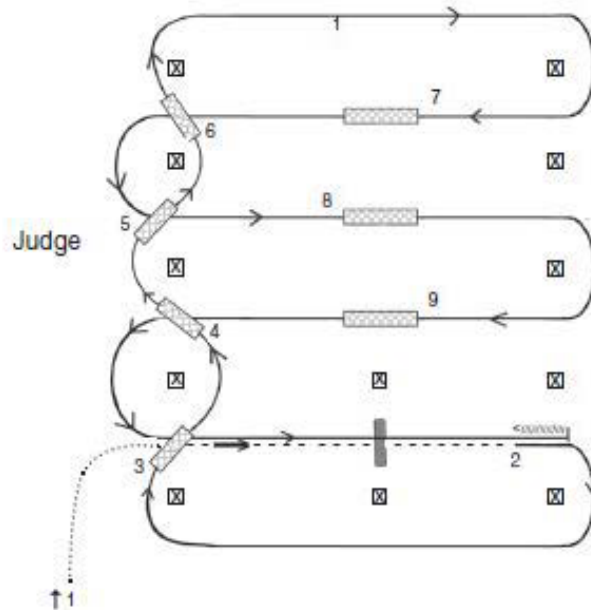
1. Walk to the left around corner of the arena
2. Trot alongside of the arena and around the corner to center
3. Walk
4. Trot
5. Lope left lead
6. Simple lead change
7. Lope on right lead
8. Trot
9. Stop and back

**Judge: *Kenny Scott***



# Boulder County Horse Judging Team Benefit Horse Show Class 38 Western Riding Open Adult

134. Pattern 4 – Level III and IV Western Riding



Walk: ..... Lope: \_\_\_\_\_  
 Back: //////////////// Jog: - - - - -  
 Lead Changing Area: XXXXXXXXX

Flying lead changes are required, simple lead changes to be penalized. See rules 118 and 124.B.9.

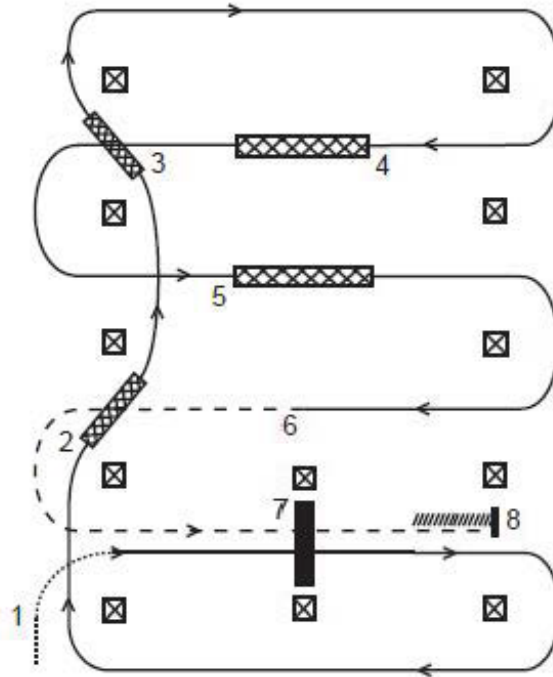
1. Walk, transition to jog, jog over log.
2. Transition to lope.
3. First line change.
4. Second line change.
5. Third line change.
6. Fourth line change.
7. First crossing change.
8. Second crossing change.
9. Third crossing change.
10. Lope over log
11. Stop & back.

135.-149. – NOT ASSIGNED

**Judge: *Kenny Scott***

# Boulder County Horse Judging Team Benefit Horse Show Class 39 Western Riding Open Youth

127. Pattern C – Level I Western Riding



Walk: ..... Lope: \_\_\_\_\_  
 Back: //////////////// Jog: - - - - -  
 Lead Changing Area: XXXXXXXXX

Simple lead changes are required, flying changes to be penalized. See rules 118 and 124.B.8.

1. Walk, transition to lope, lope over log.
2. First line change.
3. Second line change.
4. First crossing change.
5. Second crossing change.
6. Transition to jog.
7. Jog over log.
8. Stop and back.

This pattern could be used for level I when choosing Western Riding Pattern Number 4.

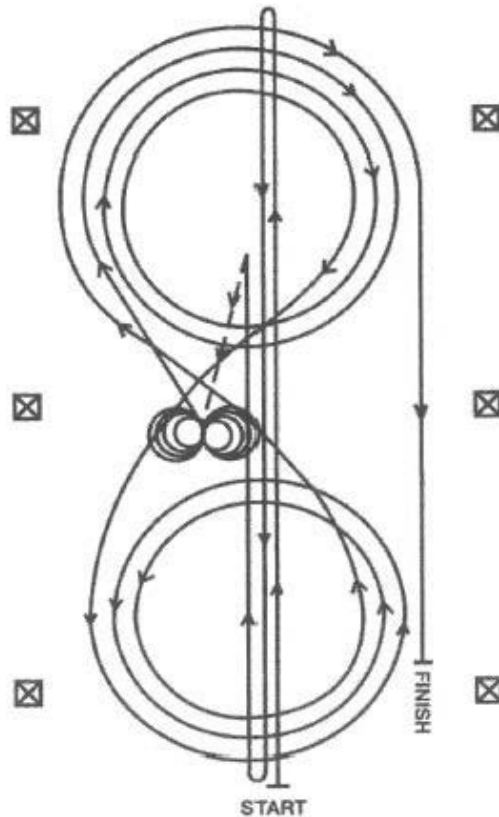
**Judge: *Kenny Scott***

# Boulder County Horse Judging Team

## Benefit Horse Show

### Class 40 Reining Open Adult

181. Pattern 5 – Level III and IV Reining (NRHA Pattern 7)

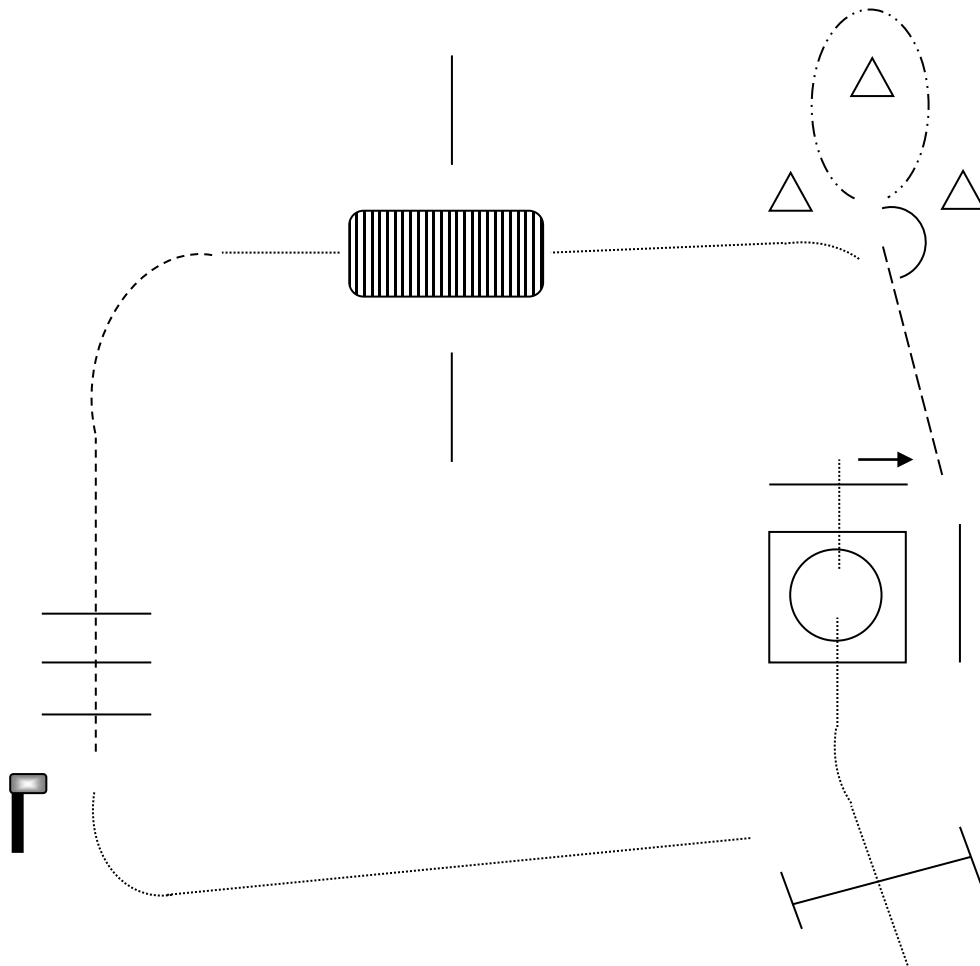


1. Run at speed to the far end of the arena past the end marker and do a left rollback – no hesitation.
2. Run to the opposite end of the arena past the end marker and do a right rollback – no hesitation.
3. Run past the center marker and do a sliding stop. Back up to the center of the arena or at least ten feet. Hesitate.
4. Complete four spins to the right. Hesitate.
5. Complete four and one-quarter spins to the left so that horse is facing left wall or fence. Hesitate.
6. Beginning on the right lead, complete three circles to the right: the first two circles large fast; the third circle small and slow. Change leads at the center of the arena.
7. Complete three circles to the left: the first two circles large and fast; the third circle small and slow. Change leads at the center of the arena.
8. Begin a large fast circle to the right but do not close this circle. Run straight down the right side of the arena past the center marker and do a sliding stop at least twenty feet from the wall or fence. Hesitate to demonstrate completion of the pattern.

Rider must drop bridle to the designated judge.

**Judge: *Kenny Scott***

**Boulder County Horse Judging Team  
Benefit Horse Show  
Class 42 Trail In-Hand**

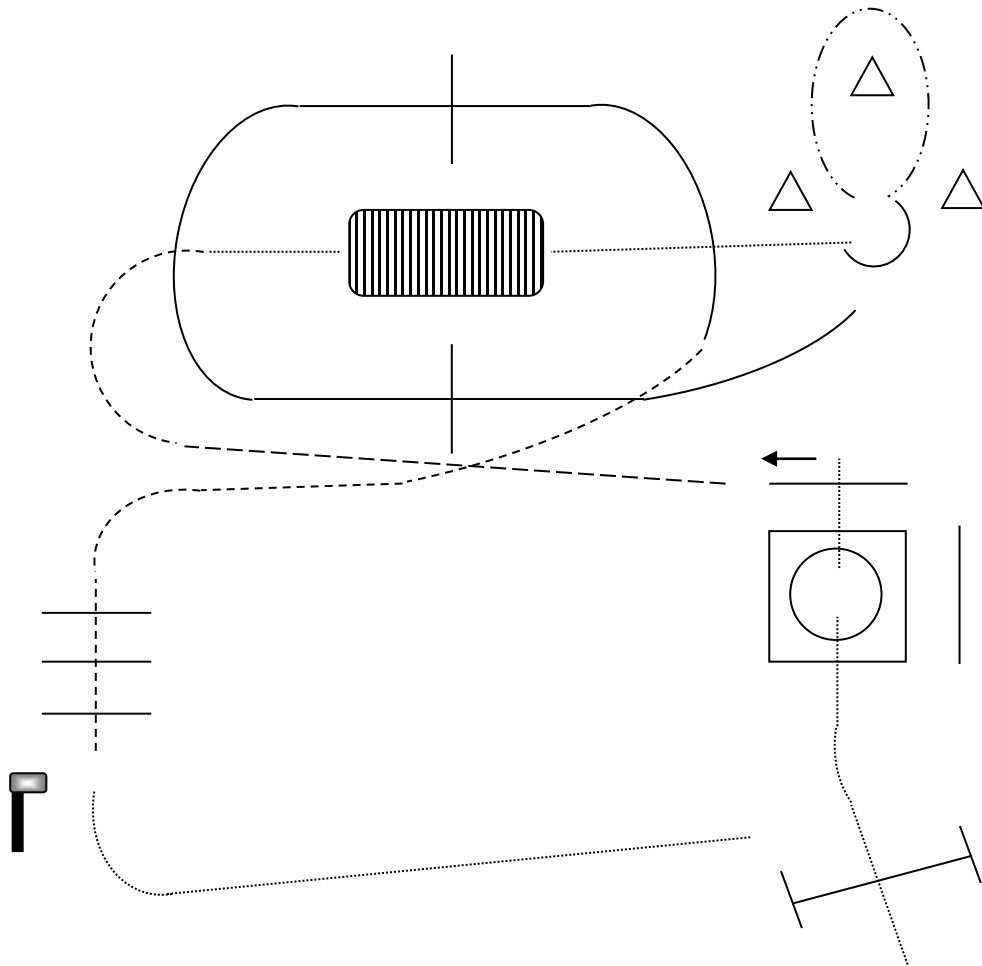


**Pattern Legend**

Walk      .....  
Trot      - - - - -  
Back      · · · · ·

Be ready at start. Work gate. Walk into box. Perform a 360° turn to the right. Begin to walk out of box and stop with hind feet in the slot. Sidepass right until clear of pole. Trot to cones. Halt. Perform a 180° turn to the right. Back as shown, either direction, around top cone. Walk to and over bridge. Trot to and over poles and up to mailbox. Halt. Open and close mailbox. Exit at a walk.

# Boulder County Horse Judging Team Benefit Horse Show Class 43 English Trail

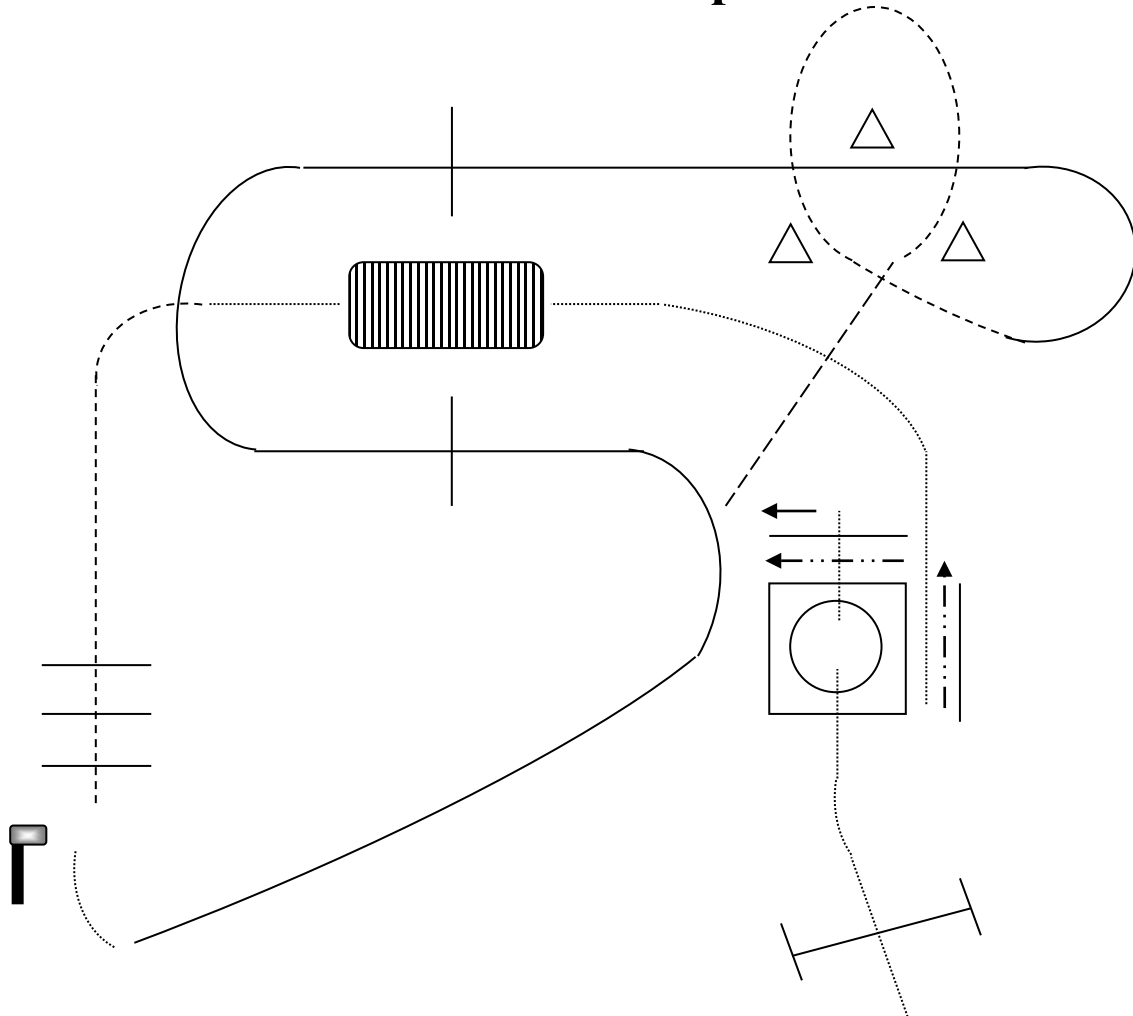


### Pattern Legend

Walk	.....
Trot	-----
Canter	————
Back	— · — · — ·

Be ready at start. Work right hand gate. Walk into box. Perform a 360° turn to the left. Begin to walk out of box and stop with hind feet in the slot. Sidepass left until clear of pole. Trot to far side of bridge. Walk to and over bridge. Walk to cones. Turn and back thru cones, either direction, to circle top cone. Pick up right lead and canter over poles around bridge as shown. Trot to and over poles and up to mailbox. Halt. Open and close mailbox. Exit at a walk.

**Boulder County Horse Judging Team  
Benefit Horse Show  
Classes 44 & 45 Western Trail Open Adult & Youth**

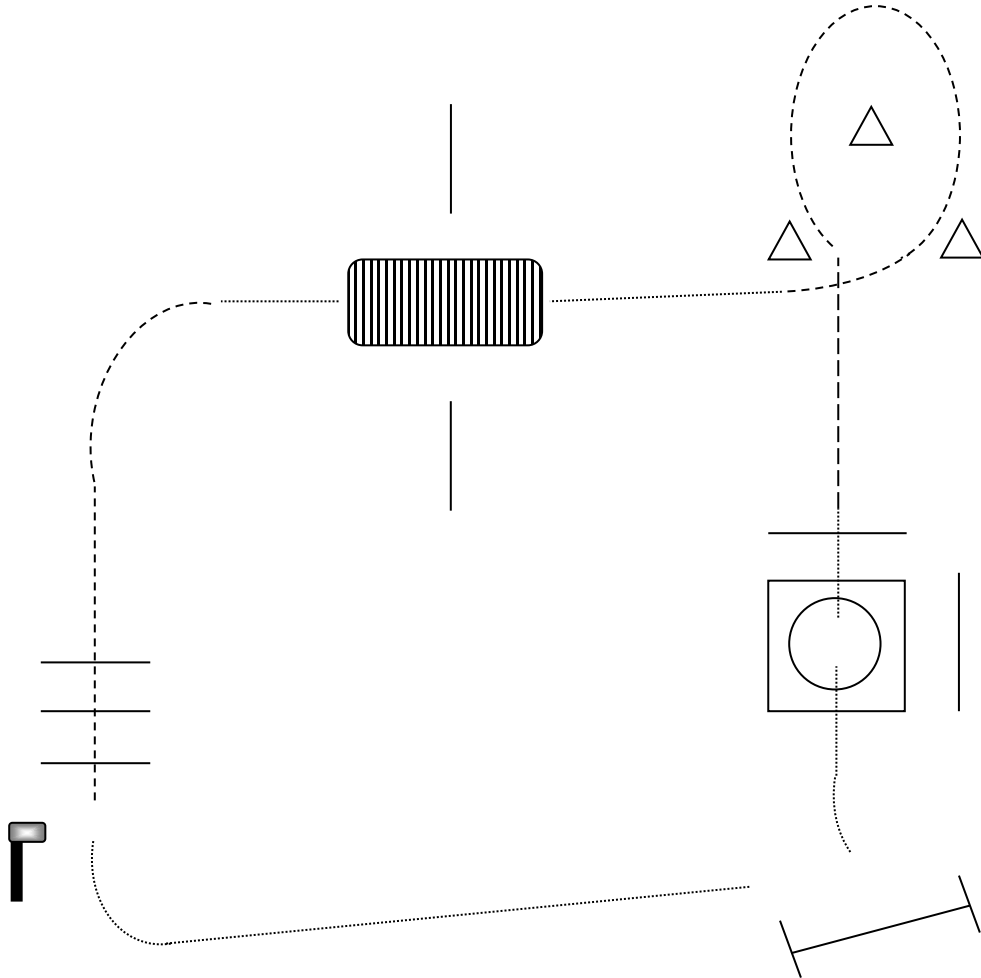


**Pattern Legend**

Walk	.....
Trot	-----
Canter	—————
Back	.....

Be ready at start. Work right hand gate. Walk into box. Perform a 360° turn to the left. Begin to walk out of box and stop with hind feet in the slot. Sidepass left until clear of pole. Jog cones as shown. Pick up left lead and lope poles on sides of bridge as shown. Change leads and lope to mailbox. Walk to, open and close mailbox. Jog over poles and toward bridge. Walk to and over bridge. Walk into chute. Back L. Halt to show completion and walk to exit.

**Boulder County Horse Judging Team  
Benefit Horse Show  
Class 46 Western Trail Walk/Jog**



**Pattern Legend**

- Walk    ..... (dotted line)
- Trot    - - - - - (dashed line)
- Back    - · - · - · (dash-dot line)

Be ready at start. Walk into box. Perform a 360° turn either direction. Walk out of box and over pole. Jog to and around cones as shown. Walk to and over bridge. Jog to and over poles and up to mailbox. Halt. Open and close mailbox. Walk to exit.