

# Easy Riders 4H Horse Show 2023

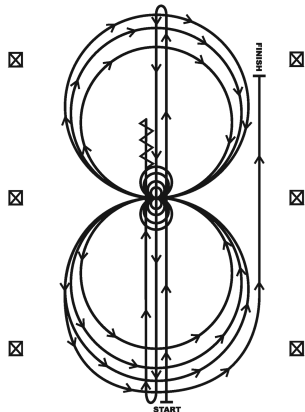
## Judges Sheets

Show Date: April 16th 2023

### Class 42. OPEN ADULT REINING

Open Adult

#### REINING PATTERN I

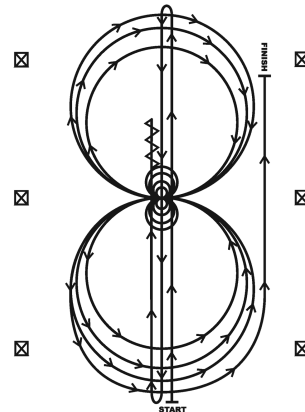


1. Run at speed to the far end of the arena past the endmarker and do a left rollback—no hesitation.
2. Run to the opposite end of the arena past the end marker and do a right rollback—no hesitation.
3. Run past the center marker and do a sliding stop. Back up to center of the arena or at least ten feet (three meters). Hesitate.
4. Complete four spins to the right. Hesitate.
5. Complete four and one-quarter spins to the left so that horse is facing left wall or fence. Hesitate.
6. Beginning on the left lead, complete three circles to the left: the first circle large and fast; the second circle small and slow; the third circle large and fast. Change leads at the center of the arena.
7. Complete three circles to the right: the first circle large and fast; the second circle small and slow; the third circle large and fast. Change leads at the center of the arena.
8. Begin a large circle to the left but do not close this circle. Run straight up the right side of the arena past the center marker and do a sliding stop at least twenty feet (six meters) from wall or fence. Hesitate to demonstrate the completion of the pattern.

### Class 41. 4-H REINING: Levels III & IV

Level 3&4

#### REINING PATTERN I

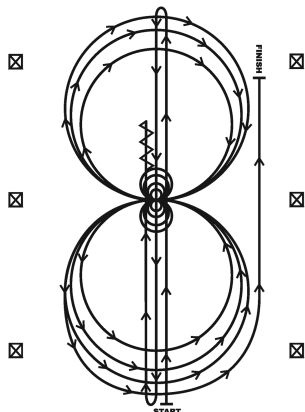


1. Run at speed to the far end of the arena past the endmarker and do a left rollback—no hesitation.
2. Run to the opposite end of the arena past the end marker and do a right rollback—no hesitation.
3. Run past the center marker and do a sliding stop. Back up to center of the arena or at least ten feet (three meters). Hesitate.
4. Complete four spins to the right. Hesitate.
5. Complete four and one-quarter spins to the left so that horse is facing left wall or fence. Hesitate.
6. Beginning on the left lead, complete three circles to the left: the first circle large and fast; the second circle small and slow; the third circle large and fast. Change leads at the center of the arena.
7. Complete three circles to the right: the first circle large and fast; the second circle small and slow; the third circle large and fast. Change leads at the center of the arena.
8. Begin a large circle to the left but do not close this circle. Run straight up the right side of the arena past the center marker and do a sliding stop at least twenty feet (six meters) from wall or fence. Hesitate to demonstrate the completion of the pattern.

### Class 38. OPEN YOUTH REINING: Ages 8-18

Age 8-18

#### REINING PATTERN I



1. Run at speed to the far end of the arena past the endmarker and do a left rollback—no hesitation.
2. Run to the opposite end of the arena past the end marker and do a right rollback—no hesitation.
3. Run past the center marker and do a sliding stop. Back up to center of the arena or at least ten feet (three meters). Hesitate.
4. Complete four spins to the right. Hesitate.
5. Complete four and one-quarter spins to the left so that horse is facing left wall or fence. Hesitate.
6. Beginning on the left lead, complete three circles to the left: the first circle large and fast; the second circle small and slow; the third circle large and fast. Change leads at the center of the arena.
7. Complete three circles to the right: the first circle large and fast; the second circle small and slow; the third circle large and fast. Change leads at the center of the arena.
8. Begin a large circle to the left but do not close this circle. Run straight up the right side of the arena past the center marker and do a sliding stop at least twenty feet (six meters) from wall or fence. Hesitate to demonstrate the completion of the pattern.

### Class 37. 4-H WESTERN HMS: Levels III & IV

Level 3&4

Be ready at A.

1. Lope on the right lead from A to B.
2. Break to a jog at B and jog a circle to the left.
3. Stop at B.
4. Back one horse length at B.
5. Lope on the left lead to C.
6. Stop at C.

Follow the instructions of your ring steward.

Walk	-----
Jog	- - - - -
Extended Jog	-----
Lope	=====
Leg Yield	
Lead Change	↔
Back	←←←←←
Marker	⊙
Sidepass	←←←←←

Pattern Provided by:  
*Show Staff*

www.HorseShowPatterns.com

www.HorseShowPatterns.com

# Easy Riders 4H Horse Show 2023

## Judges Sheets

Show Date: April 16th 2023

### Class 35. 4-H WESTERN HMS: Level II

Level 2

- Lope on the right lead A to B.
- At B perform a 90 degree turn to the right.
- Lope a circle to B on the left lead.
- At B extend the jog to A.
- At A stop and Back 4 steps.

Walk	-----
Jog	-----
Extended Jog	-----
Lope	-----
Leg Yield	
Lead Change	///
Back	←←←←
Marker	Ⓚ
Sidepass	←←←←

### Class 33. 4-H WESTERN HMS: Level I

Level 1

- Walk A to B
- Jog a circle at B.
- Continue the jog to C.
- At C stop and back 4 steps.

Walk	-----
Jog	-----
Extended Jog	-----
Lope	-----
Leg Yield	
Lead Change	///
Back	←←←←
Marker	Ⓚ
Sidepass	←←←←

### Class 26. OPEN ADULT WESTERN HORSEMANSHIP

Adult

- Lope on the right lead A to B.
- At B perform a 90 degree turn to the right.
- Lope a circle to B on the left lead.
- At B extend the jog to A.
- At A stop and Back 4 steps.

Walk	-----
Jog	-----
Extended Jog	-----
Lope	-----
Leg Yield	
Lead Change	///
Back	←←←←
Marker	Ⓚ
Sidepass	←←←←

### Class 19. 4-H ENG EQUITATION: Level 1

Level 1

Be ready before A.

- Sitting trot A to B.
- At B, posting trot circle to the right on proper diagonal.
- At B, canter on the left lead to C.
- Stop at C and back approximately one horse length.

Walk	-----
Trot	-----
Extended Trot	-----
Canter	-----
Leg Yield	
Lead Change	///
Back	←←←←
Marker	Ⓚ
Sidepass	←←←←
Hand Gallop	-----

Pattern Provided by:  
*Show Staff*

www.HorseShowPatterns.com

www.HorseShowPatterns.com

# Easy Riders 4H Horse Show 2023

## Judges Sheets

Show Date: April 16th 2023

### Class 17. 4-H ENG EQUITATION: Level II

Level 2

1. Posting trot A to B on the right diagonal  
 2. At B canter on the right lead around B  
 3. At B perform a simple lead change and continue to C  
 4. Stop at C

Walk .....  
 Trot - - - -  
 Extended Trot - - - -  
 Canter - - - -  
 Leg Yield |||||  
 Lead Change / / / /  
 Back <- <- <- <-  
 Marker (B)  
 Sidepass <- <- <-

### Class 15. 4-H ENG EQUITATION: Levels III & IV

Level 3&4

1. Posting trot on the left diagonal from A to B  
 2. At B stop and perform a 270 degree turn on the forehead to the left  
 3. Canter on the left lead halfway to C  
 4. Change leads and hand gallop on the right lead to C  
 5. At C stop

Walk .....  
 Trot - - - -  
 Extended Trot - - - -  
 Canter - - - -  
 Leg Yield |||||  
 Lead Change / / / /  
 Back <- <- <- <-  
 Marker (B)  
 Sidepass <- <- <-  
 Hand Gallop <- <- <-

### Class 9. OPEN ADULT ENGLISH EQUITATION: 19

19

1. Posting trot A to B on the right diagonal  
 2. At B canter on the right lead around B  
 3. At B perform a simple lead change and continue to C  
 4. Stop at C

Walk .....  
 Trot - - - -  
 Extended Trot - - - -  
 Canter - - - -  
 Leg Yield |||||  
 Lead Change / / / /  
 Back <- <- <- <-  
 Marker (B)  
 Sidepass <- <- <-

### Class 6. OPEN Showmanship: Adult ages 19+

Adult 19+

Be ready at A.  
 1. Walk to B.  
 2. Trot around B and past judge.  
 3. Stop past judge and back until hind end of horse is even with judge.  
 4. Turn 270 degrees and set up for inspection.  
 5. When dismissed, walk straight away from judge.

Walk .....  
 Trot - - - -  
 Back <- <- <- <-  
 Marker (B)  
 Judge (J)

Pattern Provided by:  
**Show Staff**

www.HorseShowPatterns.com

www.HorseShowPatterns.com

# Easy Riders 4H Horse Show 2023

## Judges Sheets

Show Date: April 16th 2023

### Class 5. 4-H SHOWMANSHIP: Unrated

Unrated

Be ready at A.

1. Walk from A to B.
2. At B, trot to judge.
3. Stop and set up for inspection.
4. When dismissed, turn 90 degrees and walk away from judge.
5. Follow the instructions of your ring steward.

Walk -----  
Trot -----  
Back -----  
Marker (B)  
Judge (J)

### Class 4. 4-H SHOWMANSHIP: Level I

Level 1

1. Trot from A to B.
2. Stop and perform a 180 degree turn.
3. Walk to Judge and set up for inspection.
4. When dismissed follow instructions of ring steward.

Walk -----  
Trot -----  
Back -----  
Marker (B)  
Judge (J)

### Class 3. 4-H Showmanship: Level 2

Level 2

Be ready at A.

1. Walk to B.
2. Trot around B and past judge.
3. Stop past judge and back until hind end of horse is even with judge.
4. Turn 270 degrees and set up for inspection.
5. When dismissed, walk straight away from judge.

Walk -----  
Trot -----  
Back -----  
Marker (B)  
Judge (J)

### Class 2. 4-H Showmanship: Level 3&4

Level 3&4

Be ready at A.

1. Trot from A to B.
2. Trot a tight circle around B.
3. Continue to trot halfway to judge.
4. Break to a walk and walk to judge.
5. Stop and set up for inspection.
6. When dismissed, back approximately one horse length.
7. Perform a 1/4 turn and walk away.

Follow the directions of your ring steward.

Walk -----  
Trot -----  
Back -----  
Marker (B)  
Judge (J)

Pattern Provided by:

Show Staff

www.HorseShowPatterns.com

www.HorseShowPatterns.com

# Easy Riders 4H Horse Show 2023

## Judges Sheets

Show Date: April 16th 2023

### Class 1. Open Showmanship: Age 8-18

Ages 8 to 18

Be ready at A.

1. Walk to B.
2. Perform a 360 degree turn at B.
3. Trot to C.
4. Stop and set up for inspection.
5. When dismissed, back approximately one horse length.

Follow the instructions of your ring steward.

Walk -----  
Trot - - - - -  
Back ← 33333  
Marker (B)  
Judge (J)

w w w . H o r s e S h o w P a t t e r n s . c o m

w w w . H o r s e S h o w P a t t e r n s . c o m

Pattern Provided by:  
*Show Staff*